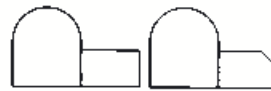
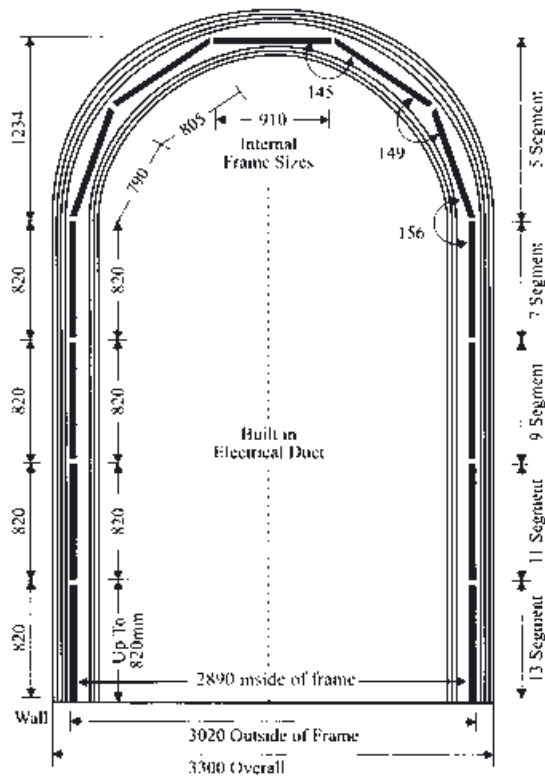


GARDEN ROOM ROOF MODULES

SUGGESTED FRAME LAYOUT SHEET (OTHER SIZES OF FRAME CAN BE USED)

OUTSIDE OF FRAME



Garden rooms can be used in conjunction with our flexi-porch roofs to create many different variations in design and shape.

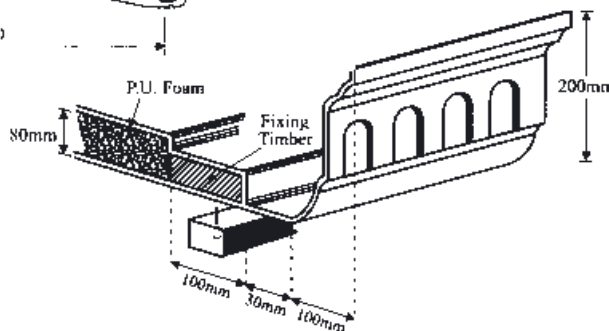
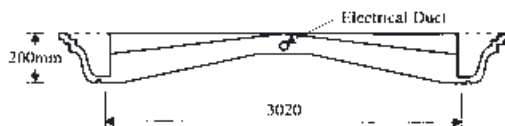
Fully insulated roof 0.2U Value, this keeps your conservatory cool in summer and warm in winter, eliminating condensation problems.

Don't sit in a greenhouse, relax in a garden room.

Our unique drain hopper can be fitted at any point on the gutter allowing you more flexibility.

Garden Room Roofs

Available in:
5 segment size
7 segment size
9 segment size
11 segment size
13 segment size



Special variations in length made to order. Normal delivery approx' 7-14 days.

Available in Six Colours:

- Standard White
- Deep Las White
- Chocolate Brown
- Ultra White
- Light Oak
- Rosewood

Split colours available on request, Chocolate Brown/ White Ceiling, etc.