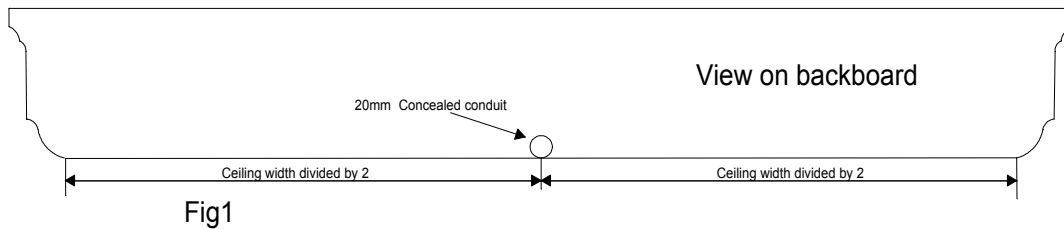
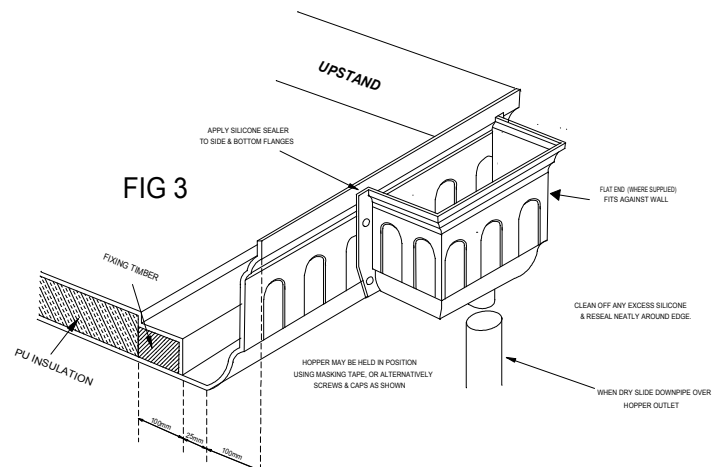
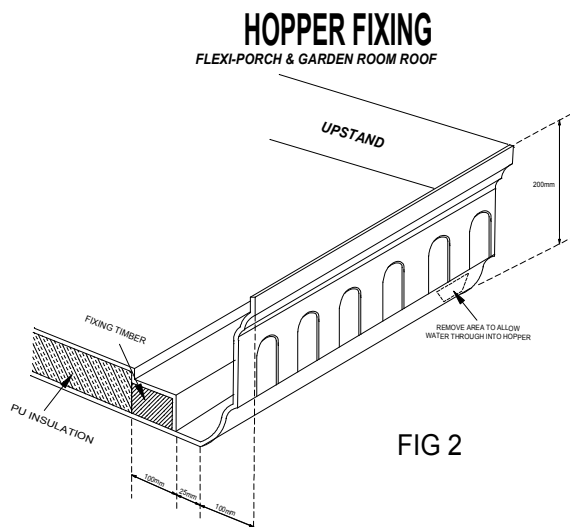


- 1) Position Porch Roof Module / Garden Room Roof on top of window frames with the grey top on the outside, leave an equal overhang around window frames
- 2) If light fitting is to be installed, drill 10mm hole in centre of ceiling skin approximately 10mm deep.
- 3) Drill back of upstand / backboard as shown in Fig1



- 4) Thread electric cable through hole into concealed conduit and install light fitting
- 5) drill through the top of each window frame with a 4 - 6mm drill (take care not to drill into the roof more than a few millimetres as your screws will not hold)
- 6) Screw through frames into roof using suitable length screws, ensuring that you do not pierce the top waterproof layer. Also do not screw at an angle as this may penetrate the gutter area (where present)
- 7) Drill & screw the upstand / backboard to the house wall at approximately 400mm intervals. (screws must be at least 60mm long, and have steel washers under head to spread load)
- 8) Install lead flashing or a suitable alternative, according to manufacturers instructions, to obtain a watertight seal along the house wall
- 9) If a built in gutter is included, install the supplied hopper as shown below.



- 10) Clean using warm soapy water.
- 11) Seal around frames with suitable silicone sealant
- 12) Installation is complete