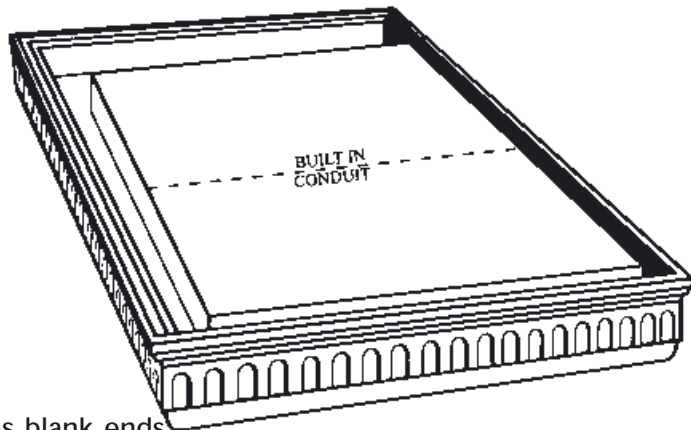


FLEXI-ROOF MODULES

Constructed from glass reinforced plastic. Each roof is made to your exact requirements. Max size to the outside of the fixing timber (see diagram below)
6200 x 3300mm



Cut-outs can be built in, as well as blank ends to allow the module to fit against side walls.

This product is also compatible with our garden room roofs, allowing you to create many shapes of garden room.



Example

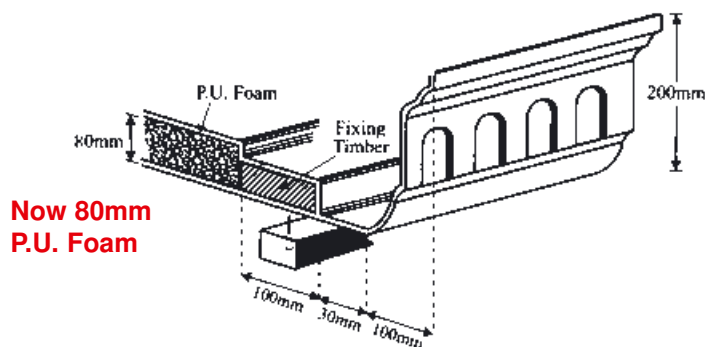
Supplied to your external frame sizes, we work out the overhang to suit your frame. You simply lift the roof on top of the frames and screw up into the fixing timber around the outer frame layout.

Even lighting is simple to install due to the built-in conduit.

Fitting can be completed in minutes, creating a beautiful, strong, lightweight porch.

Fully insulated to a 0.2 U Value.

Normal delivery approx 7-14 days.



Available in Various Colours:

- 3 Shades of White: Standard, Ultra, Deeplas
- 2 Shades of Brown: Chocolate Brown & Light Oak and Rosewood

Split colours available, i.e. Brown Outer with White Ceiling, etc.